

Extending Meter Life With Proven Accuracy Retention



MODEL
750

Designed for long life and superior performance

FEATURES INCLUDE

Slow Revving Speed

2 Litre Cyclic Volume

Capacity 7.5 m³/h (Gas)

Corrosion Resistant

Rugged Compact Construction

Exceptional Accuracy

Superior Low Flow Performance

Designed to EN1359 & AS4647:2005

Low Pressure Drop

8 Digit Sealed Index

Magnetic Drive

Pulse Ready

MODEL
750

MODEL 750



Extending Meter Life With Proven Accuracy Retention

General Details

Housed in a compact aluminium case, the Model 750 is a slow revving high capacity gas meter. Its 2 litre per cycle diaphragm operates at a rate of 40% slower than its 1.2 litre rivals. This design minimises the speed of internal components and coupled with high quality materials wear rates are reduced ensuring long term accuracy retention.

The Model 750 has a capacity of 7.5m³/h of Natural Gas (SG0.62) or 6m³/h of Air at 125Pa pressure drop, a standard proven in Australia and throughout the world to ensure durability and reliable accuracy for periods of beyond 20 years.

Accuracy

The outstanding design features of the Model 750 gas meter such as its tangent control, large cyclic capacity and magnetic drive index provide unparalleled accuracy from 10 litres/h to 7.5m³/h. Our modern calibration and test facilities are accredited to ISO/IEC 17025.

Pressure Absorption

The Model 750 meter has a low pressure absorption due to the tangent assembly, sliding low friction valves, and large cyclic volume (2 dm³/cycle), which ensures extended field life and long term accuracy retention.

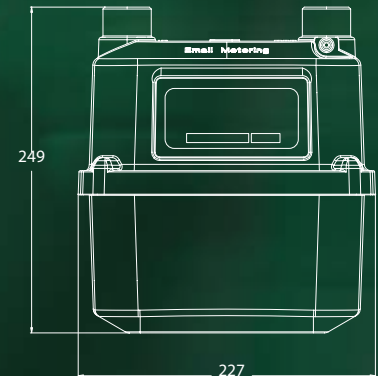
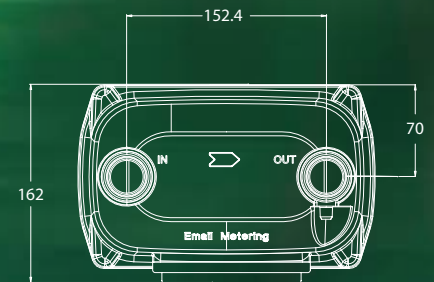
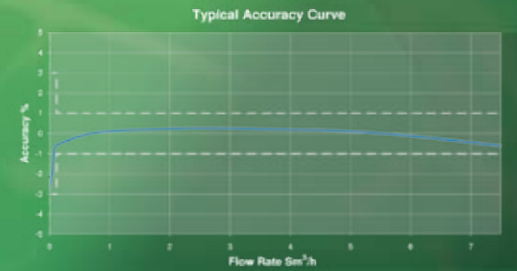
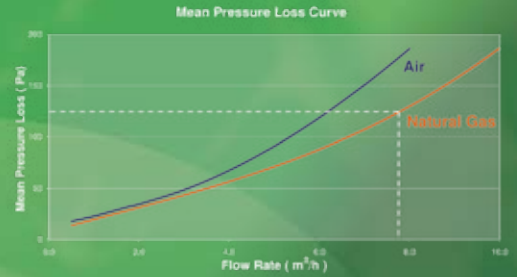
Pressure absorption across the meter reflects how hard the meter is working and is directly proportional to the component wear rate and subsequent meter life. The pressure absorption of the Model 750 is 125 Pascals (Pa) at a flow rate of 6m³/h of Air (7.5 m³/h of Natural Gas).

Accuracy Retention

The initial accuracy of a meter is easy to achieve by using calibration to pass initial testing. However, sustained accuracy over time comes down to the quality, design and construction of the meter. The Model 750 has been designed for long-term stability and extended field life.

Endurance Testing

Endurance testing to the most stringent world requirements has been conducted on the Model 750 that show long term accuracy retention. The Model 750 meter exceeds the endurance testing requirements of the European Standard EN1359:1999, American National Standard ANSI B109.1, Australian Standard AS4647:2005, and OIML Recommendation 31.



SPECIFICATIONS*		
<p>Gases Natural gas, town gas, propane, butane, LPG and inert gases. For other gases please consult AMPY Email Metering.</p> <p>Temperature Range -10 °C to +65 °C.</p> <p>Cyclic Volume 0.002 cubic metres (2 litres).</p> <p>Working Pressure Refer to meter index badge.</p> <p>Index Drive Magnetically driven index ensuring low mechanical wear.</p>	<p>Index Anti-Fog hydrophilic coated 8 digit index 5 whole cubic meters (white numbers on black wheels) and 3 decimal places (white numbers on red wheels).</p> <p>Threads Meter boss threads vertical inlet/outlet 10 Light 1" to BS746 1987 at 152mm (6") centres. 1" 10 Lt. to 3/4" BSP Cap Nut and Liner set available part number SK5.</p> <p>Case Construction Pressure die cast aluminium. The Model 750 meter weighs 2.70 kg.</p>	<p>Pulse Output Ready All meters are fitted with a magnet in the far right index wheel and hence each meter is pulse retro fittable in the field 1 pulse / 10 lts.</p> <p>Corrosion Protection Alodine internal and external pre-treatment of castings followed by baked polyester powder coat for maximum corrosion protection.</p> <p>Pulse Output Module 10 litres per pulse using IN-Z61 or IN-Z62 pulse module.</p>

Contacts

Melbourne +61 3 8368 1600
 Sydney +61 2 9690 7409
 Brisbane +61 7 3265 4344
 Perth +61 8 9244 3523

Customer Service Toll Free
 Australia 1800 337 957

New Zealand
 Auckland +64 9 579 1155

www.ampymetering.com.au
sales@ampymetering.com.au



* Continuing product improvement is AMPY Email Metering policy, specifications are subject to change without notice.