

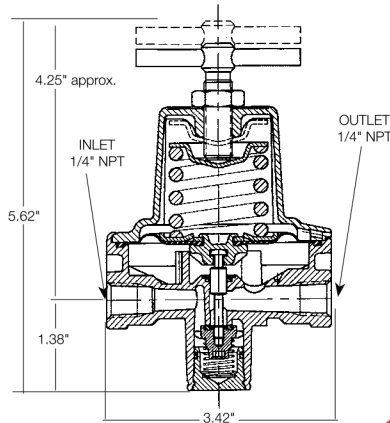
High Pressure Industrial / Commercial Pounds-to-Pounds Regulators 597F Series

Application

Designed to reduce propane gas container pressure down to between 3 and 100 PSIG. Ideal for liquid or vapor service, they can be used in a variety of applications including salamander heaters, weed burning torches, fish cookers, tar pot heaters, and other industrial type services.

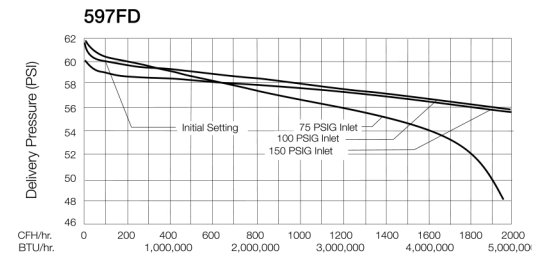
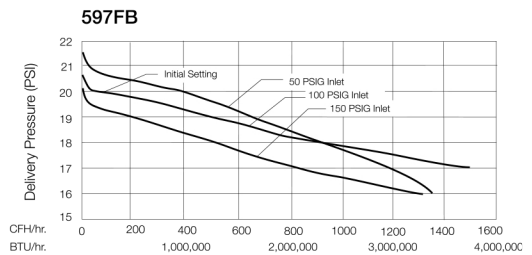
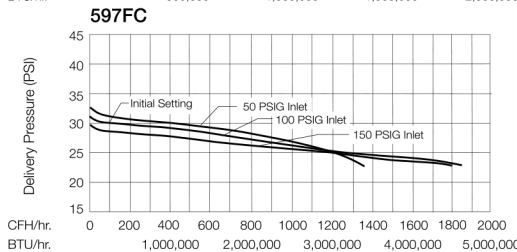
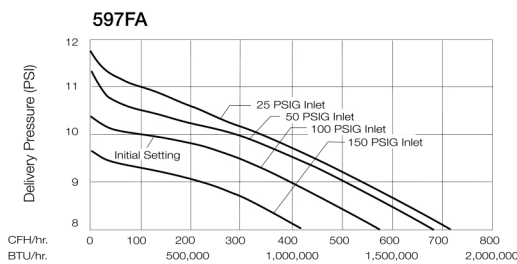
Features

- Provides high capacity performance at a reasonable price.
- Suitable for both liquid and vapor service.
- Compact design provides for easy installation.
- Negative or indirect acting design provides for excellent performance when needed most – in cold weather, when tank pressures are lowest and system demands are highest.
- Consistent delivery pressure, especially in cold weather, helps assure maximum performance from the second stage regulator.
- Can be readily fitted with a pressure gauge in the 1/4" FNPT port.
- Molded diaphragm provides an o-ring like seal between the body and the bonnet.
- Fully painted in brilliant red for complete corrosion protection.
- Available in four adjustable ranges for maximum performance.
- Bonnet and body are assembled in the USA using the unique, patented RegULok™ Seal System.



Materials

Body	Zinc
Bonnet	Zinc
Springs	Steel
Valve Seat Discs	Resilient Rubber
Diaphragms	Integrated Fabric and Synthetic Rubber
Adjusting Screw	Brass



Ordering Information

Part Number	Adjustment Method	Inlet Connection	Outlet Connection	Recommended Delivery Pressure Range (PSIG)	Capacity Determined at Set Pressure of PSIG*	Capacity BTU/hr. Propane**
597FA	Tee Handle	1/4" NPT	1/4" NPT	1-15	10	1,750,000
597FB				10-30	20	3,000,000
597FC				20-45	30	3,500,000
597FD				40-100	40	4,500,000

* Set pressure established at 100 PSIG inlet and a flow of 250,000 BTU/hr.

** Capacity determined at actual delivery pressure 20% less than set pressure with inlet pressure 20 PSIG higher than the set pressure.